

## Collection of serial interface circuits for DivX players mounting the Mediatek MT1389.

All these interfaces need a "pin to pin" cable for the connection with the RS232 serial port

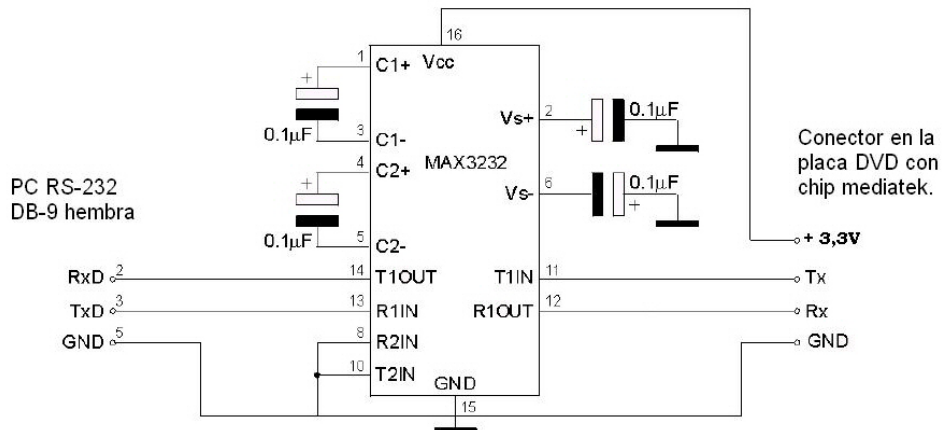
### 1. Interface with MAX3232.

This is the best circuit for the serial connection with the player.

The MAX3232 need only 4 capacitors and the supply (3.3V) is taken from the player.

Design by Cachirulo.

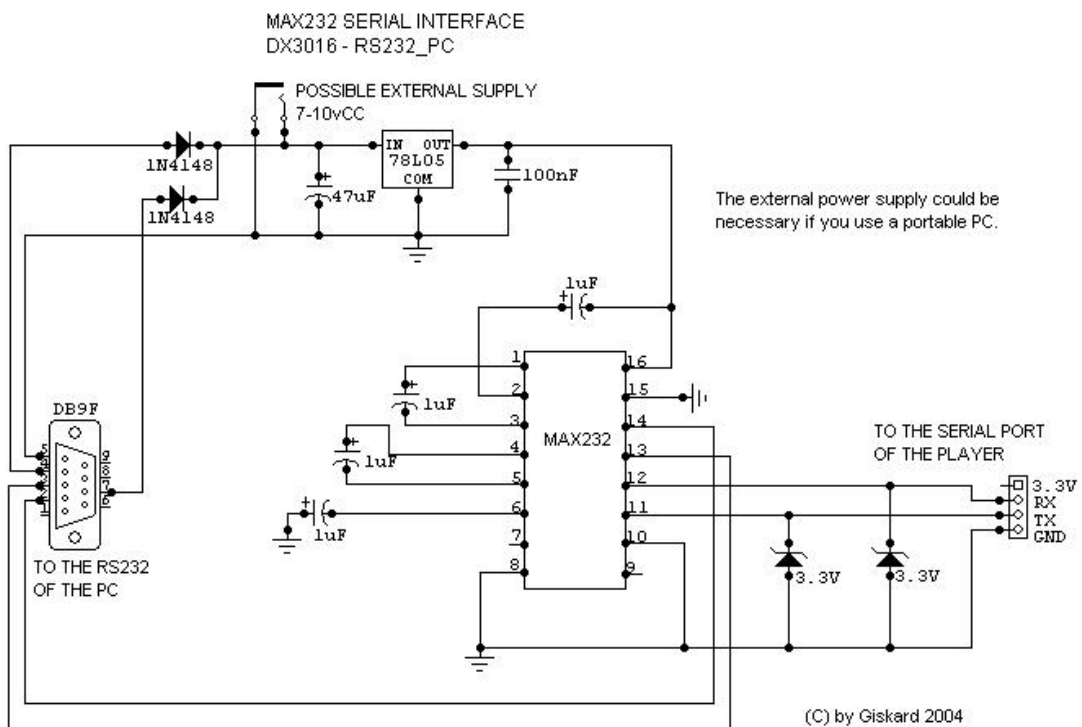
This circuit is based on the MAX3232 datasheet.



### 2. Interface with MAX232.

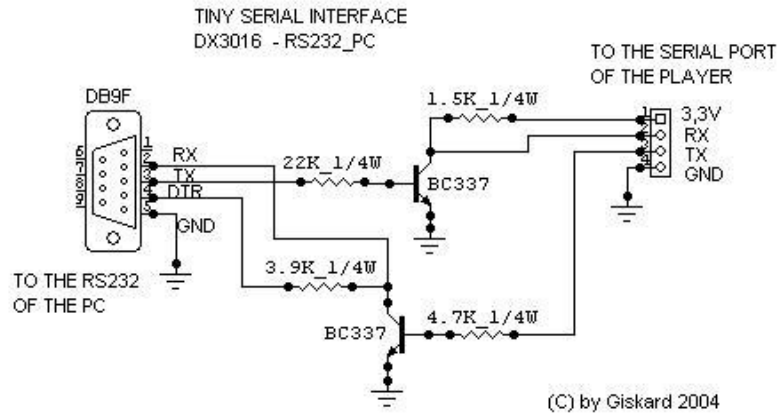
This circuit is using a MAX232 instead MAX3232. It is very similar to the previous, but the supply (5Vcc) is taken from the RS232 of the pc.

This circuit is based on the MAX3232 datasheet.



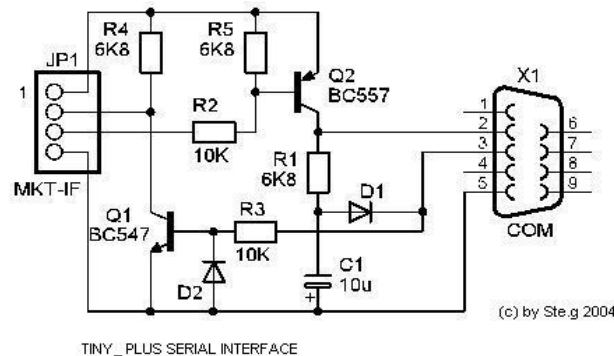
### 3. Tiny interface with 2 transistors

This is the simplest and cheaper interface. The supply is taken from the player for RX\_player (3.3V) and from pin 4 of the RS232 for RX\_RS232 (7-12V) The maximum length of the cable must not be exceed 1000-1500 mm.



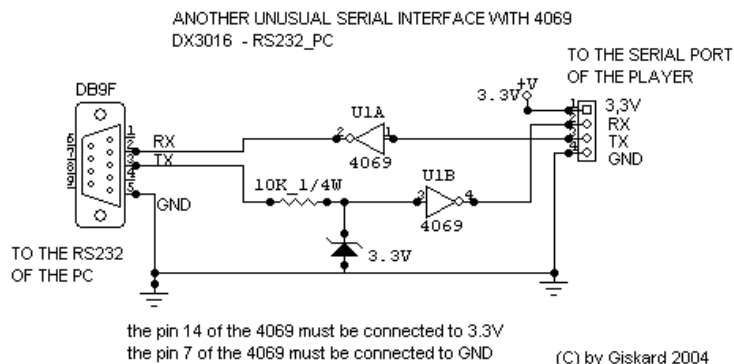
### 4. Tiny\_plus interface with 2 transistor

This is an evolved version of TINY. The supply is taken from the player (3.3V) and from pin3 of the RS232 for a better negative level (-12V). Design by Ste.g. The maximum length of the cable must not be exceed 1000-1500 mm.



### 5. A.U.S.I. interface. with cmos 4069

This is another unusual serial interface (A.U.S.I.). The supply (3.3V) is taken from the player. The maximum length of the cable must not be exceed 1000-1500 mm.



By Giskard.